

Trapped Key CONTROL SWITCH – Types ISB-CB ISB-CB-EX Operating Instructions

IP69K CONTROL SWITCH - ISB-CB-M with IP69K Rating:

ISB-CB-M



Power "ON" = Key TRAPPED. Power "OFF" = Key can be RELEASED

STAINLESS STEEL 316 BARREL HOUSING AND DUST CAP

Sales Number	ISOLATION SWITCH BOX WITH IP69K RATING
SS-ISB-CB-22-M	2NC 2NO Contact Block 240V 3A max. M20
SS-ISB-CB-31-M	3NC 1NO Contact Block 240V 3A max. M20
SS-ISB-CB-40-M	4NC Contact Block 240V 3A max. M20

DIE CAST (Mirror Finish) BARREL HOUSING AND DUST CAP

Sales Number	ISOLATION SWITCH BOX WITH IP69K RATING
M-ISB-CB-22-M	2NC 2NO Contact Block 240V 3A max. M20
M-ISB-CB-31-M	3NC 1NO Contact Block 240V 3A max. M20
M-ISB-CB-40-M	4NC Contact Block 240V 3A max. M20

EXPLOSION PROOF CONTROL SWITCH - ISB-CB-EX (IECEx/ATEX Internal Switch):

ISB-CB-EX



Exd IIC T6 (-20 ≤ Ta ≤ +60C)

Ex tb IIIC T85C (-20 ≤ Ta ≤ +60C) Db

The Explosion Proof contact blocks conform to European harmonized standard EN60079-0 and EN60079-1 and can be used in European Zone 1, 2, 21, 22 environments. (Gas and Dust).

Power "ON" = Key TRAPPED. Power "OFF" = Key can be RELEASED

STAINLESS STEEL 316 BARREL HOUSING AND DUST CAP

Sales Number	ISOLATION SWITCH BOX WITH EXPLOSION PROOF CONTACT BLOCK
SS-ISB-CB-22-EX	2NC 2NO (pre-wired 3m cable) 250V 2.5A max.
SS-ISB-CB-11-EX	1NC 1NO (pre-wired 3m cable) 250V 4.0A max.
SS-ISB-CB-20-EX	2NC (pre-wired 3m cable) 250V 4.0A max.

DIE CAST (Mirror Finish) BARREL HOUSING AND DUST CAP

Sales Number	ISOLATION SWITCH BOX WITH EXPLOSION PROOF CONTACT BLOCK
M-ISB-CB-22-EX	2NC 2NO (pre-wired 3m cable) 250V 2.5A max.
M-ISB-CB-11-EX	1NC 1NO (pre-wired 3m cable) 250V 4.0A max.
M-ISB-CB-20-EX	2NC (pre-wired 3m cable) 250V 4.0A max.



READ AND UNDERSTAND THESE INSTRUCTIONS BEFORE INSTALLING, OPERATING, OR MAINTAINING THIS EQUIPMENT.

The product is designed to be a component of a customized safety oriented control system. It is the responsibility of the user to ensure the correct overall functionality of its systems and machines. IDEM, its subsidiaries and affiliates, are not in a position to guarantee all of the characteristics of a given system or product not designed by IDEM.

INSTALLATION: Installation must only be carried out by competent personnel and in accordance with these instructions.

Always use correct size metal mounting bolts (M6). Tightening torque 2Nm.

WARNING: ALWAYS OBSERVE ELECTRICAL RATINGS FOR EX VERSIONS.

MAINTENANCE: Every month: Check all circuits for correct function. If the key or housing display signs of mechanical damage then remove and replace.

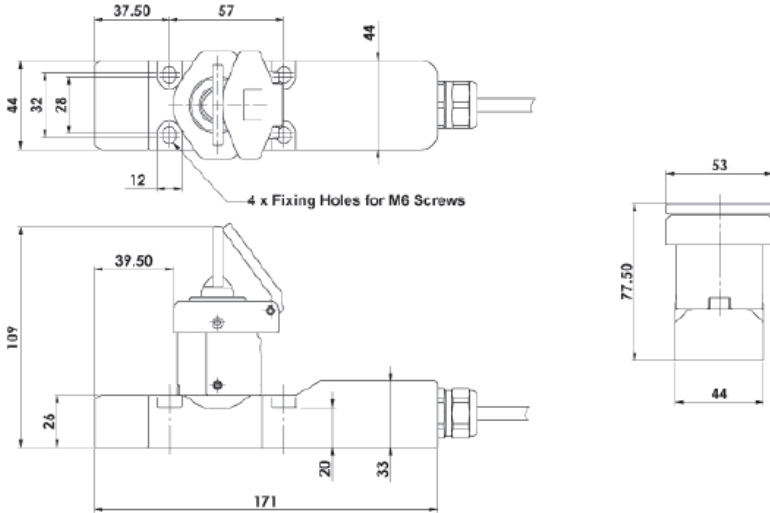
IDEM will not accept responsibility for failure of the switch functions if the installation and maintenance requirements are not implemented.

THESE INSTRUCTIONS FORM PART OF THE PRODUCT WARRANTY.

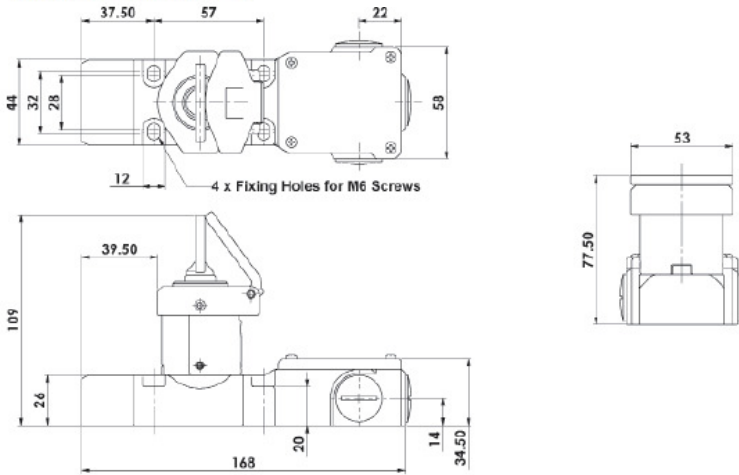
Trapped Key CONTROL SWITCH – Types ISB-CB ISB-CB-EX

PRODUCT DIMENSIONS (mm)

Control Switch Model ISB-CB-EX

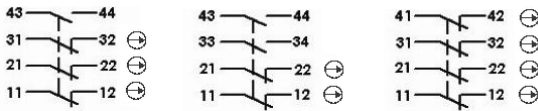


Control Switch Model ISB-CB



TECHNICAL SPECIFICATION: Mechanical Life (B10d): 1,000,000cycles.
 Ambient temperature: -20C / 60C.
 IP rating: IP69K (EX versions IP66)

Standard Contact blocks



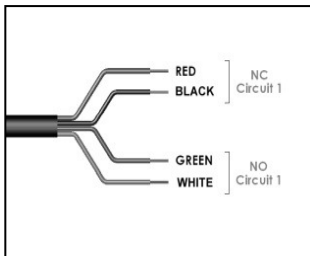
EX versions:

EX Internal switch:
 Type:
 Classification

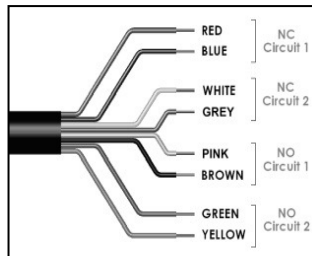
Rated Voltage
 Rated Current

IDEM LS-EX
 Ex d IIC T6 (-20C Ta 60C) Gb
 Ex tb IIIC T85C (-20C Ta 60C) Db
 250V ac/dc
 2 pole 4A. 4 pole 2.5A.

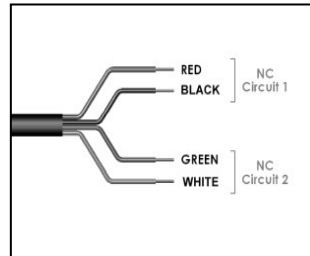
1 NC 1 NO



2 NC 2 NO



2 NC



**IMPORTANT-
 SPECIFIC CONDITIONS OF USE FOR EX VERSIONS:
 THE INTEGRAL CABLE SHALL BE SUITABLY
 PROTECTED FROM PHYSICAL DAMAGE AND
 ABRASION. THE INTEGRAL CABLE IS TO BE
 TERMINATED IN A SUITABLE TERMINAL FACILITY.**