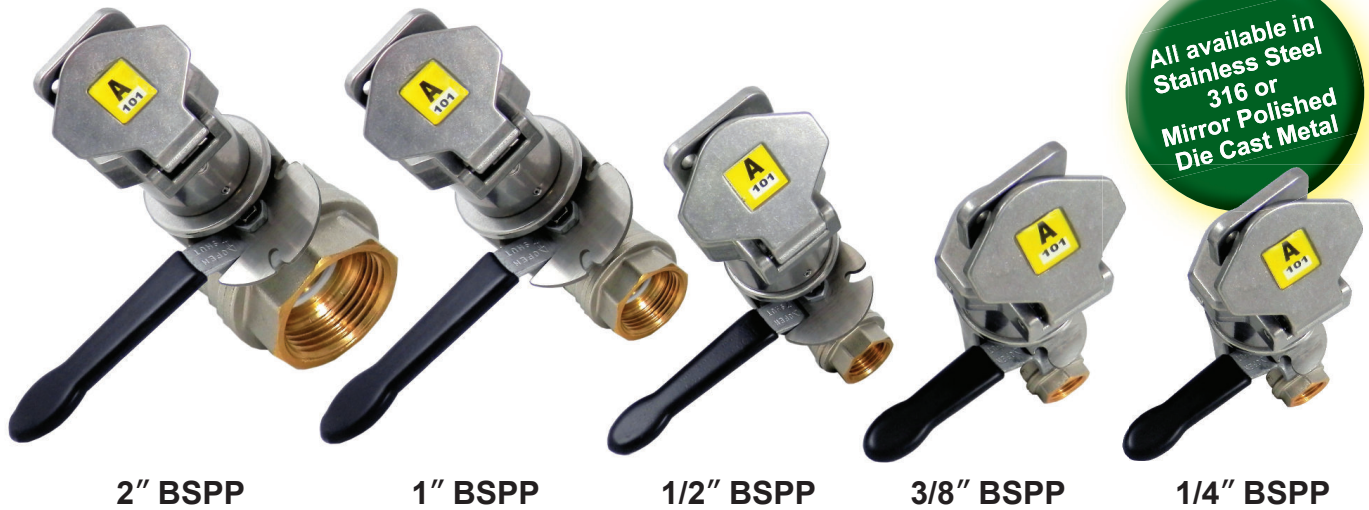


SKORPION Trapped Key Interlocking with Key Exchange

MINI VALVE LOCK

Available in two versions with choice of five thread sizes.



2" BSPP

1" BSPP

1/2" BSPP

3/8" BSPP

1/4" BSPP

Operating Principle

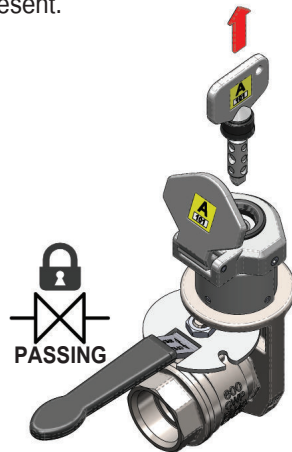
IDEM's mini valve locks can be used standalone or for use as part of a SKORPION Trapped Key solution.

They can be locked in an open or closed state (passing or non-passing). The key can then be removed and can be moved to safe storage (to avoid tampering) or can be integrated with trapped key guard interlocks to protect operators from machine, gas or air hazards that may be present.

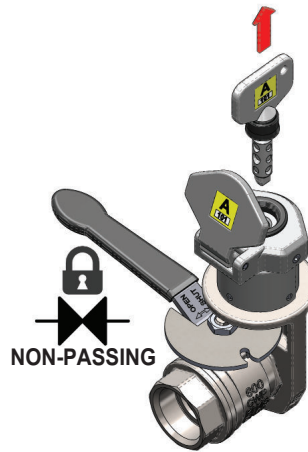
Working Temperature and Pressure Limits

- 40 Bar (600 psi)
- - 40C to +170C

Warning: Freezing of the fluid in the installation may severely damage the valve.



FOP: KEY FREE, VALVE OPEN

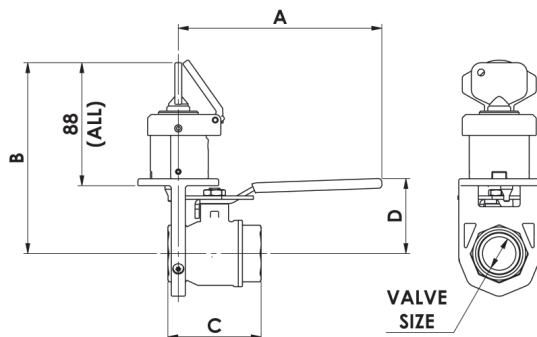


FCL: KEY FREE, VALVE CLOSED

Available in sizes:
1/4", 3/8", 1/2", 1" and 2" BSPP
thread fittings.

SALES NUMBER	FLOW	STAINLESS STEEL MINI VALVE LOCK DESCRIPTION
SS-MV-FCL-1/4	Non-Passing	Stainless Steel Mini Valve Lock 1/4" BSPP FCL
SS-MV-FCL-3/8	Non-Passing	Stainless Steel Mini Valve Lock 3/8" BSPP FCL
SS-MV-FCL-1/2	Non-Passing	Stainless Steel Mini Valve Lock 1/2" BSPP FCL
SS-MV-FCL-1	Non-Passing	Stainless Steel Mini Valve Lock 1" BSPP FCL
SS-MV-FCL-2	Non-Passing	Stainless Steel Mini Valve Lock 2" BSPP FCL
SS-MV-FOP-1/4	Passing	Stainless Steel Mini Valve Lock 1/4" BSPP FOP
SS-MV-FOP-3/8	Passing	Stainless Steel Mini Valve Lock 3/8" BSPP FOP
SS-MV-FOP-1/2	Passing	Stainless Steel Mini Valve Lock 1/2" BSPP FOP
SS-MV-FOP-1	Passing	Stainless Steel Mini Valve Lock 1" BSPP FOP
SS-MV-FOP-2	Passing	Stainless Steel Mini Valve Lock 2" BSPP FOP

SALES NUMBER	FLOW	DIE CAST METAL MINI VALVE LOCK DESCRIPTION
M-MV-FCL-1/4	Non-Passing	Die Cast Metal Mini Valve Lock 1/4" BSPP FCL
M-MV-FCL-3/8	Non-Passing	Die Cast Metal Mini Valve Lock 3/8" BSPP FCL
M-MV-FCL-1/2	Non-Passing	Die Cast Metal Mini Valve Lock 1/2" BSPP FCL
M-MV-FCL-1	Non-Passing	Die Cast Metal Mini Valve Lock 1" BSPP FCL
M-MV-FCL-2	Non-Passing	Die Cast Metal Mini Valve Lock 2" BSPP FCL
M-MV-FOP-1/4	Passing	Die Cast Metal Mini Valve Lock 1/4" BSPP FOP
M-MV-FOP-3/8	Passing	Die Cast Metal Mini Valve Lock 3/8" BSPP FOP
M-MV-FOP-1/2	Passing	Die Cast Metal Mini Valve Lock 1/2" BSPP FOP
M-MV-FOP-1	Passing	Die Cast Metal Mini Valve Lock 1" BSPP FOP
M-MV-FOP-2	Passing	Die Cast Metal Mini Valve Lock 2" BSPP FOP



PART NUMBER	A (mm)	B (mm)	C (mm)	VALVE SIZE (BSP)
MV-FCL-1/4	96	125	39	0.25 INCH
MV-FOP-1/4	96	125	39	0.25 INCH
MV-FCL-3/8	96	125	39	0.375 INCH
MV-FOP-3/8	96	125	39	0.375 INCH
MV-FCL-1/2	118	129	50	0.5 INCH
MV-FOP-1/2	118	129	50	0.5 INCH
MV-FCL-1	146	137	67	1 INCH
MV-FOP-1	146	137	67	1 INCH
MV-FCL-2	202	161	106	2 INCH
MV-FOP-2	202	161	106	2 INCH