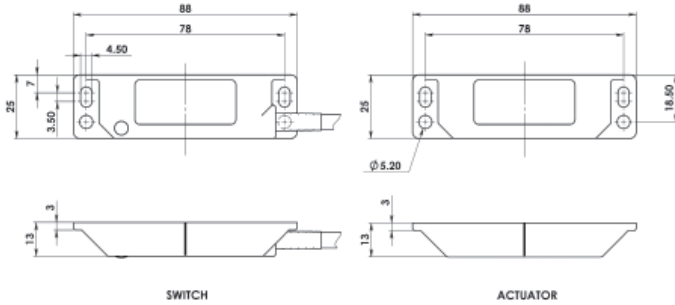


# EUROCODE - Coded Non Contact Type: LPC

## FEATURES:

- Popular European fitting suitable for all industry applications
- LED indication
- Can be high pressure hosed at high temperature due to IP69K rating
- Wide sensing at 14mm with high tolerance to misalignment
- High specification polyester housing with integral back plate
- Quick Connect versions available
- Up to: PLe ISO13849-1
- 2NC 1NO circuits - high switching life - no moving parts
- Magnet holding option available for use with small guards

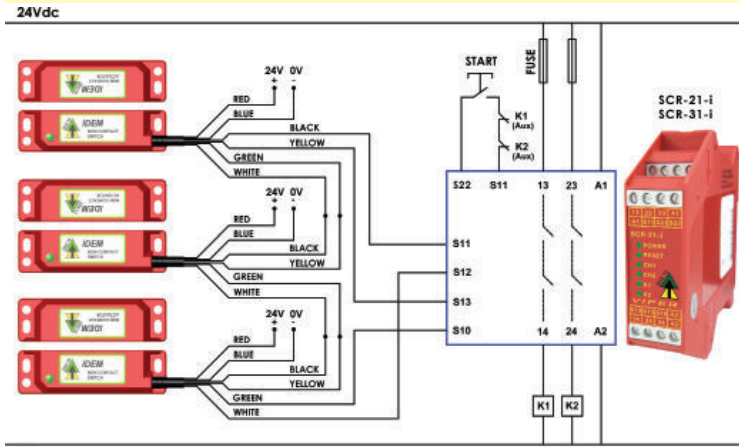
## DIMENSIONS:



**Coded Magnetic Actuation**  
**Switching Tolerance up to 14mm**  
**Will operate with most Safety Relays**



## CONNECTION EXAMPLE: CODED SWITCH



0V  
 Three switches connected in series to an SCR-21-i or SCR-31-i to give Dual Channel monitoring with monitored Manual Start and Contactor Feedback Check

	140101	Female QC Lead	M12 Female 5m. 8 way
	140102	Female QC Lead	M12 Female 10m. 8 way

**Standards:** ISO14119 EN60947-5-3  
 EN60204-1 ISO13849-1 EN62061 UL508

### Safety Classification and Reliability Data:

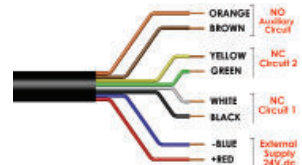
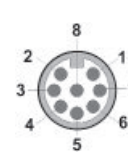
ISO13849-1	Up to PLe Category 4
PFHd	2.6 x 10 <sup>-10</sup>
Proof Test Interval (Life)	20 years
MTTFd	866 years
Safety Channel 1 NC	24Vdc 0.2A Max. Rating
Safety Channel 2 NC	24Vdc 0.2A Max. Rating
Safety Channel 3 NO	24Vdc 0.2A Max. Rating
Minimum Switched Current	10Vdc 1mA
Dielectric Withstand	250Vac
Insulation Resistance	100 Mohms
Recommended Setting Gap	5mm
Switching Distance	Sao 10mm Close
(Target to Target)	Sar 20mm Open
Tolerance to Misalignment	5mm in any direction from 5mm setting gap
Switching Frequency	1.0Hz maximum
Approach Speed	200mm/min to 1000mm/sec
Body Material	UL approved polyester
Operating Temperature	-25C +80C
Enclosure Protection	IP69K IP67
Shock Resistance	IEC68-2-27 11ms 30g
Vibration Resistance	IEC68-2-6 10-55Hz 1mm
Cable Type	PVC 6 or 8 core 6mm OD Conductors 0.25mm <sup>2</sup>
Mounting Bolts	2xM4 Tightening torque 1.0Nm
Mounting Position	Any

For all IDEM switches the normally closed (NC) circuits are closed when the guard is closed and the actuator is present.

### Magnetic Holding versions



At 1mm setting gap: 10N  
 At 5mm setting gap: 5N



Quick Connect QC M12 8 Way Male Plug Pin view from Switch	Flying Lead Colour	Circuit (Actuator Present)	Output Types Solid State
8	Orange	Auxiliary NO or NC	200mA Max. 24Vdc
5	Brown	Auxiliary NO or NC	200mA Max. 24Vdc
4	Yellow	Safety NC2	200mA Max. 24Vdc
6	Green	Safety NC2	200mA Max. 24Vdc
7	Black	Safety NC1	200mA Max. 24Vdc
1	White	Safety NC1	200mA Max. 24Vdc
2	Red	Supply +24Vdc	Supply 24Vdc +/- 10%
3	Blue	Supply 0Vdc	Supply 24Vdc +/- 10%

SALES NUMBER	TYPE	CABLE LENGTH	CIRCUITS
110001	Eurocode LPC	2M	2NC
110002	Eurocode LPC	5M	2NC
110003	Eurocode LPC	10M	2NC
110004	Eurocode LPC	QC-M12	2NC
110005	Eurocode LPC	2M	2NC 1NO
110006	Eurocode LPC	5M	2NC 1NO
110007	Eurocode LPC	10M	2NC 1NO
110008	Eurocode LPC	QC-M12	2NC 1NO
110070	Eurocode LPC	2M	3NC
110071	Eurocode LPC	5M	3NC
110072	Eurocode LPC	10M	3NC
110073	Eurocode LPC	QC-M12	3NC

For Magnetic Holding versions add 10N to Sales Number  
 Example: LPC 2NC 1NO 5m with Magnetic Holding Order: 110006-10N

Note: 2NC 1NO versions have 2NC Safety and 1NO Auxiliary Circuits  
 3NC versions have 2NC Safety and 1NC Auxiliary Circuits  
**AVAILABLE WITHOUT LED IF REQUIRED.**