

Mini Belt Alignment Switches TYPE: HLM-CBA



APPLICATIONS:

IDEM's HLM-CBA mini conveyor belt alignment switches come with either plastic roller or stainless steel roller.

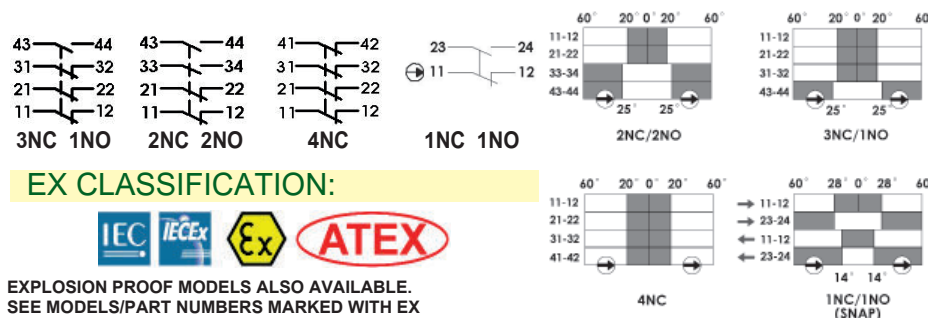
They are available with either slow break or snap action contacts.

FEATURES:

- Heavy duty die cast bodies (painted red)
- Positive opening NC safety contact to EN60947-5-1
- High mechanical life over 500,000 cycles
- Industry standard mounting to EN50041
- Choice of Stainless Steel or Plastic Roller

CONTACT BLOCKS:

Contact blocks provide positively operated safety contacts to EN60947-5-1 with optional Explosion Proof versions available.

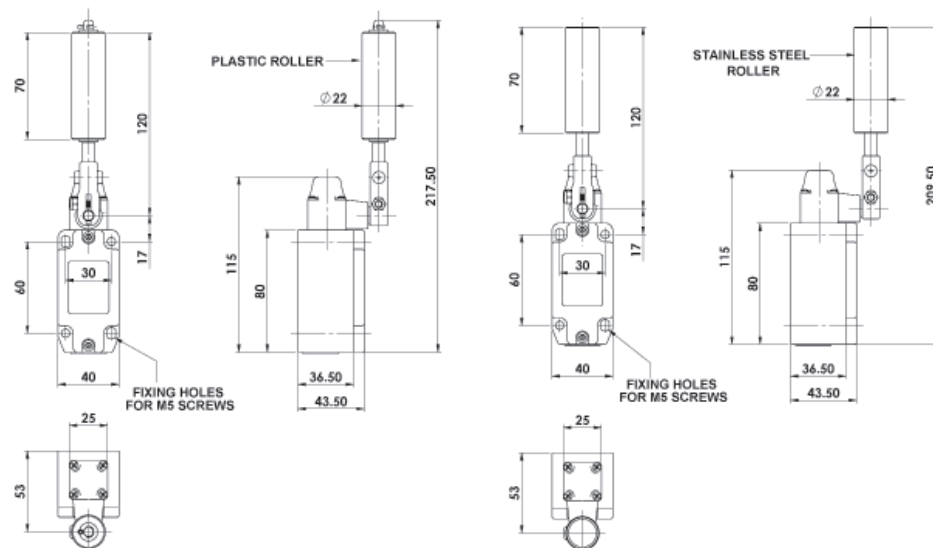


EX CLASSIFICATION:



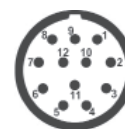
EXPLOSION PROOF MODELS ALSO AVAILABLE. SEE MODELS/PART NUMBERS MARKED WITH EX

DIMENSIONS:



HLM-CBA-P
Plastic Roller

HLM-CBA-S
S/Steel Roller



Quick Connect (QC) M23 12 Way Male (connector length 26mm) (pin view from switch)	Switch Circuit
1 3	11/12
4 6	21/22
7 8	33/34 or 31/32
9 10	41/42 or 43/44
12	Earth

ORDERING:

HLM-CBA-P with PLASTIC ROLLER	SALES NUMBERS		
	M20	1/2"NPT	QC M23
2NC 2NO	174401	174402	174403
3NC 1NO	174404	174405	174406
4NC	174407	174408	174409
1NC 1NO Snap	174410	174411	174412
1NC 1NO EX	174413	3m 4 core Ex	
2NC EX	174414	3m 4 core Ex	
2NC 2NO EX	174415	3m 8 core Ex	

HLM-CBA-S with STAINLESS STEEL ROLLER	SALES NUMBERS		
	M20	1/2"NPT	QC M23
2NC 2NO	174451	174452	174453
3NC 1NO	174454	174455	174456
4NC	174457	174458	174459
1NC 1NO Snap	174460	174461	174462
1NC 1NO EX	174463	3m 4 core Ex	
2NC EX	174464	3m 4 core Ex	
2NC 2NO EX	174465	3m 8 core Ex	

TECHNICAL SPECIFICATIONS:

Standards: ISO14119 EN60947-5-1 EN60204-1
ISO13849-1 EN62061 UL508

Safety Classification and Reliability Data:

Mechanical Reliability B10d
Positive Opening Operation
Utilisation Category AC15 A300 240V 3A
Minimum Current 5V 5mA dc
Thermal Current (Ith) 10A
Rated Insulation Voltage 300Vac
Rated Impulse Withstand 2500Vac
Maximum Switching Speed 250mm/sec
Housing Material Die Cast
Roller Material: Stainless Steel or Plastic
Enclosure Protection IP67
Operating Temperature -25C to +80C
Electrical Life Expectancy 100,000 cycle min (at full load)
Vibration IEC68-2-6 10-55Hz 0.35mm
Conductor Size 1.5mm²
Fixing M5 bolts
Operating Torque 1.10Nm Plastic Roller
1.40Nm Stainless Steel Roller