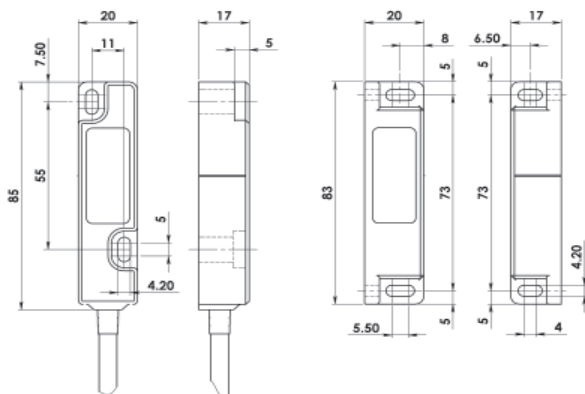


IDEMAG - Magnetic Non Contact Type: CPR

FEATURES:

- Can be high pressure hosed at high temperature IP69K
- Slim fitting suitable for all industry applications.
- Easy to install within narrow frame structures
- Operates from two sides for ease of applications
- Wide 12mm sensing and high tolerance to misalignment
- High switching capability 1A (medium duty) or 2A (heavy duty)
- Up to: PLe ISO13849-1
- 2NC 1NO circuits
- Quick Connect versions available

DIMENSIONS:



Quick Connect QC M12 8 Way Male Plug Pin view from Switch	Standard Lead Colour	Circuit (Actuator Present)
4	Yellow	NO
6	Green	NO
7	Black	NC2
1	White	NC2
2	Red	NC1
3	Blue	NC1

Standards: ISO14119 EN60947-5-3
EN60204-1 ISO13849-1 EN62061 UL508

Safety Classification and Reliability Data:

Mechanical Reliability B10d	3.3 x 10 ⁶ operations at 100mA load
Safety Data – Annual Usage	Up to PLe depending upon system architecture 8 cycles per hour/24 hours per day/365 days MTTFd 470 years
Heavy Duty Safety Channel 1 NC	Voltage Free: 250Vac 2.0A Max. Rating
Safety Channel 2 NC	Voltage Free: 250Vac 2.0A Max. Rating
Safety Channel 3 NO	Voltage Free: 24Vdc 0.2A Max. Rating
Fuse	Internal 2.0A (F) External 1.6A (F) (User)
Medium Duty Safety Channel 1 NC	Voltage Free: 250Vac 1.0A Max. Rating
Safety Channel 2 NC	Voltage Free: 250Vac 1.0A Max. Rating
Safety Channel 3 NO	Voltage Free: 24Vdc 0.2A Max. Rating
Fuse	Internal 1.0A (F) External 0.8A (F) (User)
Contact Release Time	<2ms
Initial Contact Resistance	<500 milliohm
Minimum Switched Current	10Vdc 1mA
Dielectric Withstand	250Vac
Insulation Resistance	100 Mohms
Recommended Setting Gap	5mm
Switching Distance (Target to Target)	Sao 8mm Close Sar 22mm Open
Tolerance to Misalignment	5mm in any direction from 5mm setting gap
Switching Frequency	1.0Hz maximum
Approach Speed	200mm/min to 1000mm/sec
Body Material	UL approved polyester
Operating Temperature	-25C +80C
Enclosure Protection	IP69K (NEMA PW12) IP67 (NEMA 6)
Shock Resistance	IEC68-2-27 11ms 30g
Vibration Resistance	IEC68-2-6 10-55Hz 1mm
Cable Type	PVC 6 core 6mm OD Conductors 0.25mm ²
Mounting Bolts	2xM4 Tightening torque 1.0Nm
Mounting Position	Any

For all IDEM switches the normally closed (NC) circuits are closed when the guard is closed and the actuator is present.



Magnetic Actuation - Power Series

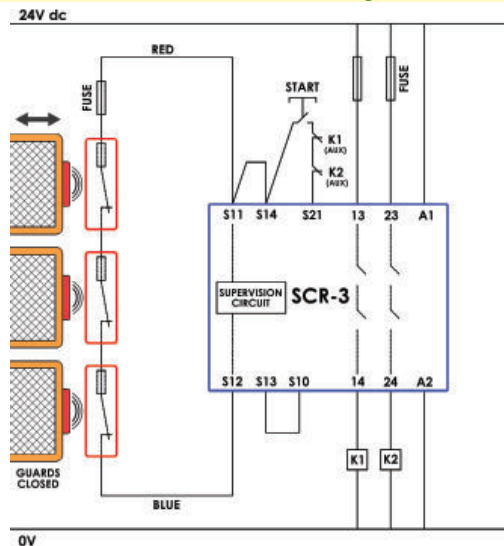
Switching Tolerance up to 12mm

Heavy Duty 230Vac/24Vdc 2A or Medium Duty 1.0A

Will operate with most Safety Relays



CONNECTION EXAMPLE: Magnetic Switches



Three switches connected in series to an SCR-2 or SCR-3 to give Single Channel guard monitoring but with monitored Manual Start and Contactor Feedback check. Allows minimal wiring but higher current switching to K1 and K2 contactors.

SALES NUMBER	TYPE	CABLE LENGTH	CIRCUITS	NC DUTY
113001	Idemag CPR	2M	2NC	Medium 1A
113002	Idemag CPR	5M	2NC	Medium 1A
113003	Idemag CPR	10M	2NC	Medium 1A
113004	Idemag CPR	QC-M12	2NC	Medium 1A
113005	Idemag CPR	2M	2NC 1NO	Medium 1A
113006	Idemag CPR	5M	2NC 1NO	Medium 1A
113007	Idemag CPR	10M	2NC 1NO	Medium 1A
113008	Idemag CPR	QC-M12	2NC 1NO	Medium 1A
113009	Idemag CPR	2M	1NC	Heavy 2A
113010	Idemag CPR	5M	1NC	Heavy 2A
113011	Idemag CPR	10M	1NC	Heavy 2A
113012	Idemag CPR	QC-M12	1NC	Heavy 2A
113013	Idemag CPR	2M	1NC 1NO	Heavy 2A
113014	Idemag CPR	5M	1NC 1NO	Heavy 2A
113015	Idemag CPR	10M	1NC 1NO	Heavy 2A
113016	Idemag CPR	QC-M12	1NC 1NO	Heavy 2A

140101	Female QC Lead	M12 Female 5m.	8 way
140102	Female QC Lead	M12 Female 10m.	8 way

113300	Plastic 8mm Spacers (2) for use when mounting on Ferrous Materials	1 x Switch 1 x Actuator
--------	--	----------------------------