

Explosion Proof Emergency Stop Switches



(P) versions include button protection shroud and padlock holes for lock off.



ESL-SS(P)-Ex

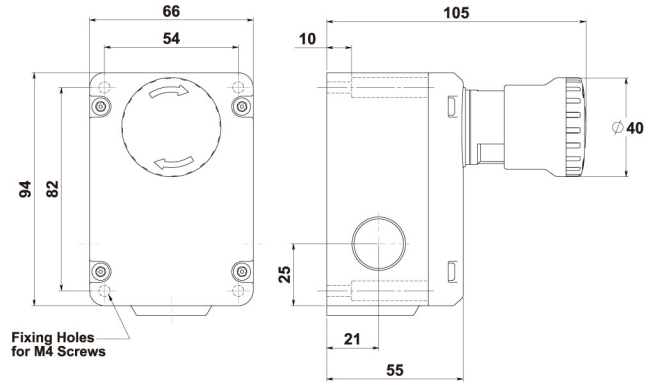


ESL-SS-Ex

Zones 1 and 2

Zones 21 and 22

Gas and Dust IP67



Sales Number	Type	Contacts
232015	ESL-SS(P)-Ex	1NC 1NO
232016	ESL-SS(P)-Ex	2NC
232030	ESL-SS(P)-Ex	2NC 2NO
232007	ESL-SS-Ex	1NC 1NO
232008	ESL-SS-Ex	2NC
232029	ESL-SS-Ex	2NC 2NO

All switches are pre-wired with 3m. length of cabling through the cable glands as shown. Other lengths and cable exits available upon request.



GLES-Ex

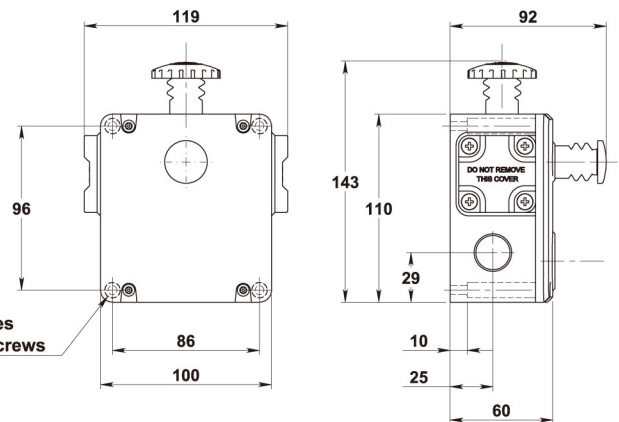


GLES-SS-Ex

Zones 1 and 2

Zones 21 and 22

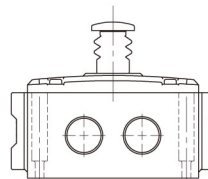
Gas and Dust IP67



4 Mounting Holes Clearance for M5 Screws

Sales Number	Type	Contacts
146003	GLES-Ex	1NC 1NO
146004	GLES-Ex	3NC 1NO
146005	GLES-Ex	2NC
146006	GLES-Ex	2NC 2NO
147003	GLES-SS-Ex	1NC 1NO
147004	GLES-SS-Ex	3NC 1NO
147005	GLES-SS-Ex	2NC
147006	GLES-SS-Ex	2NC 2NO

All Dimensions in mm



**HEAVY DUTY
EMERGENCY STOP**