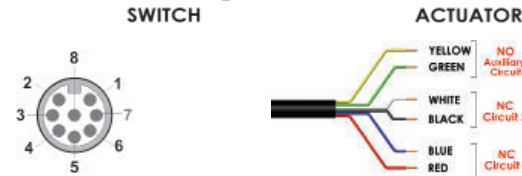
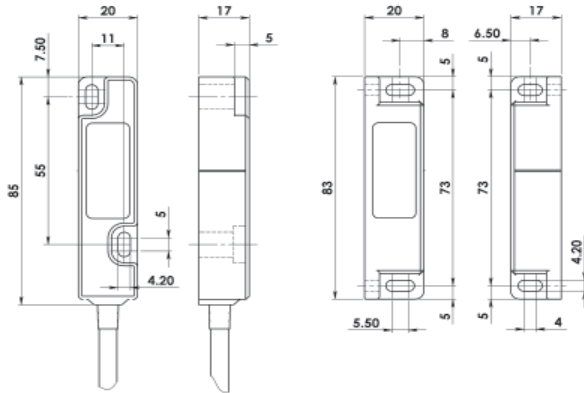


IDEMAG - Magnetic Non Contact Type: CPR

FEATURES:

- Can be high pressure hosed at high temperature IP69K
- Slim fitting suitable for all industry applications.
- Easy to install within narrow frame structures
- Operates from two sides for ease of applications
- Wide 12mm sensing and high tolerance to misalignment
- High switching capability 1A (medium duty) or 2A (heavy duty)
- Up to: PLe ISO13849-1
- 2NC 1NO circuits
- Quick Connect versions available

DIMENSIONS:



Quick Connect QC M12 8 Way Male Plug Pin view from Switch	Standard Lead Colour	Circuit (Actuator Present)
4	Yellow	NO
6	Green	NO
7	Black	NC2
1	White	NC2
2	Red	NC1
3	Blue	NC1

Standards: ISO14119 EN60947-5-1
EN60204-1 ISO13849-1 EN62061 UL508

Safety Classification and Reliability Data:		
Mechanical Reliability B10d		3.3 x 10 ⁶ operations at 100mA load
ISO13849-1		Up to PLe depending upon system architecture
EN62061		Up to SIL3 depending upon system architecture
Safety Data – Annual Usage PFHd		8 cycles per hour/24 hours per day/365 days
Proof Test Interval (Life) MTTFd		2.52 x 10 ⁻⁸ 47 years
Heavy Duty	Safety Channel 1 NC	470 years
	Safety Channel 2 NC	Voltage Free: 250Vac 2.0A Max. Rating
	Safety Channel 3 NO	Voltage Free: 250Vac 2.0A Max. Rating
		Voltage Free: 24Vdc 0.2A Max. Rating
		Internal 2.0A (F) External 1.6A (F) (User)
Medium Duty	Safety Channel 1 NC	Voltage Free: 250Vac 1.0A Max. Rating
	Safety Channel 2 NC	Voltage Free: 250Vac 1.0A Max. Rating
	Safety Channel 3 NO	Voltage Free: 24Vdc 0.2A Max. Rating
		Internal 1.0A (F) External 0.8A (F) (User)
		Fuse <2ms
		Contact Release Time <500 milliohm
		Initial Contact Resistance 10Vdc 1mA
		Minimum Switched Current 250Vac
		Dielectric Withstand 100 Mohms
		Insulation Resistance 5mm
		Recommended Setting Gap Sao 10mm Close
		Switching Distance (Target to Target) Sar 22mm Open
		Tolerance to Misalignment 5mm in any direction from 5mm setting gap
		Switching Frequency 1.0Hz maximum
		Approach Speed 200mm/min to 1000mm/sec
		Body Material UL approved polyester
		Operating Temperature -25C +80C
		Enclosure Protection IP69K (NEMA PW12) IP67 (NEMA 6)
		Shock Resistance IEC68-2-27 11ms 30g
		Vibration Resistance IEC68-2-6 10-55Hz 1mm
		Cable Type PVC 6 core 6mm OD Conductors 0.25mm ²
		Mounting Bolts 2xM4 Tightening torque 1.0Nm
		Mounting Position Any

For all IDEM switches the normally closed (NC) circuits are closed when the guard is closed and the actuator is present.



Magnetic Actuation - Power Series

Switching Tolerance up to 12mm

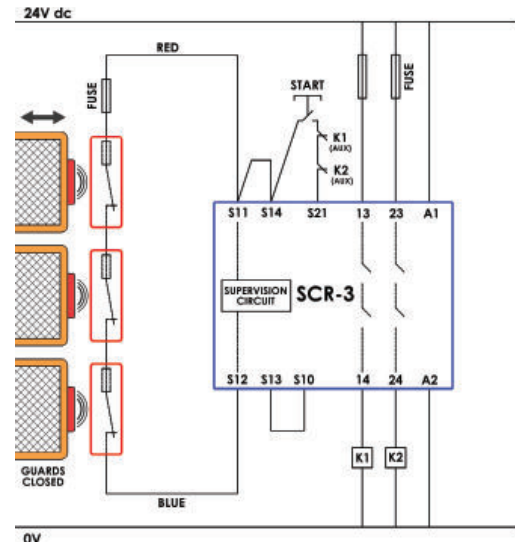
Heavy Duty 230Vac/24Vdc 2A or Medium Duty 1.0A

Will operate with most Safety Relays



Quick Connect M12 versions fitted with 250mm (10") cable

CONNECTION EXAMPLE: Magnetic Switches



Three switches connected in series to an SCR-2 or SCR-3 to give Single Channel guard monitoring but with monitored Manual Start and Contactor Feedback check. Allows minimal wiring but higher current switching to K1 and K2 contactors.

SALES NUMBER	TYPE	CABLE LENGTH	CIRCUITS	NC DUTY
113001	Idemag CPR	2M	2NC	Medium 1A
113002	Idemag CPR	5M	2NC	Medium 1A
113003	Idemag CPR	10M	2NC	Medium 1A
113004	Idemag CPR	QC-M12	2NC	Medium 1A
113005	Idemag CPR	2M	2NC 1NO	Medium 1A
113006	Idemag CPR	5M	2NC 1NO	Medium 1A
113007	Idemag CPR	10M	2NC 1NO	Medium 1A
113008	Idemag CPR	QC-M12	2NC 1NO	Medium 1A
113009	Idemag CPR	2M	1NC	Heavy 2A
113010	Idemag CPR	5M	1NC	Heavy 2A
113011	Idemag CPR	10M	1NC	Heavy 2A
113012	Idemag CPR	QC-M12	1NC	Heavy 2A
113013	Idemag CPR	2M	1NC 1NO	Heavy 2A
113014	Idemag CPR	5M	1NC 1NO	Heavy 2A
113015	Idemag CPR	10M	1NC 1NO	Heavy 2A
113016	Idemag CPR	QC-M12	1NC 1NO	Heavy 2A

140101	Female QC Lead	M12 Female 5m.	8 way
140102	Female QC Lead	M12 Female 10m.	8 way

113300	Plastic 8mm Spacers (2) for use when mounting on Ferrous Materials	1 x Switch 1 x Actuator
--------	--	----------------------------