



Heavy Duty Emergency Stop – Type GLES Guardian Line E Stop Operating Instructions



Type: GLES



Type: GLES - SS



Type: GLES - Ex



Type: GLES – SS - Ex



Explosion proof versions

Application:

GLES Emergency Stop switches are used to provide a hand operated latching Emergency Stop command. In combination with any dual channel safety-monitoring controller they can be used as emergency stop devices and monitored for up to Category 4 to EN 954-1.

Operation:

All GLES Emergency stop switches conform to European Standards ISO13850 (formerly) EN 418 and IEC 60947-5-5. They have a positive mechanical linkage between the switch contacts and the Mushroom Button. After operation by depressing the Red Mushroom button, they require to be re-set (safety contacts closed, auxiliary contacts open) by pressing the Blue Reset button on the switch cover.

Installation:

Installation of all GLES must be in accordance with a risk assessment for the individual application. Installation must only be carried out by competent personnel and in accordance with these instructions.

M5 mounting bolts must be used to fix the switches. Tightening torque for mounting bolts to ensure reliable fixing is 4 Nm. Tightening torque for the lid screws, conduit entry plugs and cable glands must be 1.5 Nm to ensure IP seal. Only use the correct size gland for the conduit entry and cable outside diameter.

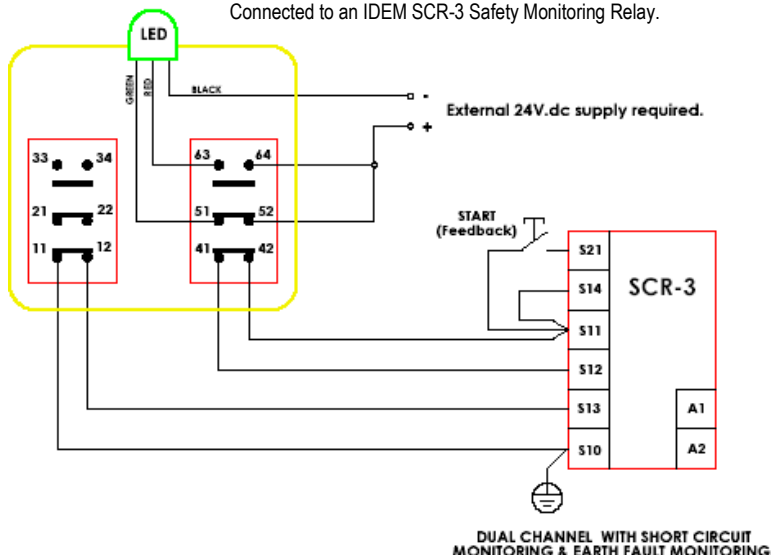
During installation / commissioning check the operation of the switch and the control circuits by depressing the Red Mushroom Button and resetting each switch by depressing the Blue Reset button. Ensure each time that the machine stop is activated according to the risk assessment for the machine.

Maintenance:

Every 3 months (minimum – or as directed by the risk assessment for the application):
Isolate power and remove cover. Check screw terminal tightness and check for signs of moisture ingress. Never attempt to repair any switch.

Wiring Example:

Connected to an IDEM SCR-3 Safety Monitoring Relay.



LED Flashing Red -- Stopped
LED Steady Green -- Able to Start

Indicator Lamps (24V.d.c or 110V or 230V).

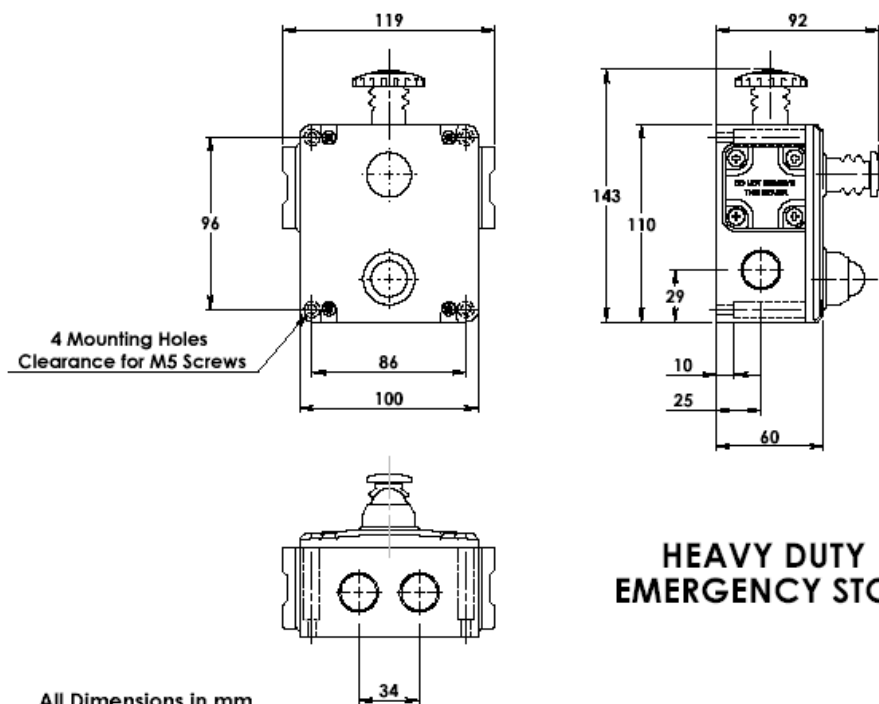
When power is applied to the Red wire the lamp will illuminate Red and Flash.
When power is applied to the Green Wire, the Lamp will illuminate Green.

Black is 0V.d.c. or Neutral



Wiring Circuits Explosion Proof versions (Switch Reset)

Heavy Duty Emergency Stop – Type GLES



All Dimensions in mm

Standards: IEC 947-5-1 IEC947-5-5 EN 418 UL508
Enclosure / Cover Die-Cast – Painted Yellow or Stainless Steel 316
IP Rating IP67
Mounting 4 x M5
Mounting position Any
Conduit entries 3 x M20 or 3 x ½" NPT by part number
Torque settings Mounting M5 4.0 Nm
 Lid Torx T20 M4 1.5 Nm
 Terminals 1.0 Nm

Ambient Temperature -25C. 80 C.
 -40C. 80C. FZ versions
Vibration resistance 10-500Hz 0.35mm
Shock resistance 15g 11ms
Mechanical Life 1,000,000 operations
Approx. weight 1000 g. Yellow 2000g. S/Steel
 IEC 60947-5-1 Double break Type Zb
 up to 4NC (positive break)
 up to 2NO (Auxiliary)

Contact Material Silver
Termination Clamp up to 2.5 sq. mm conductors
Rating Utilisation Category : AC15 A300
Operational Rating 240V. 3A.

Thermal Current (Ith) 10A.
Rated Insulation Voltage (Ui) 500V.
Withstand Voltage (Uimp) 2500V.
Short Circuit Overload Protection Fuse Externally 10A. (F)



Exd IIC T6 (-20 ≤ Ta ≤ + 60C) Gb



Exd tb IIIC T85C (-20 ≤ Ta ≤ + 60C) Db

Sales Number	Type	Conduit Entry	Contacts
146001	GLES	M20	4NC 2NO
146002	GLES	½" NPT	4NC 2NO
146003	GLES-Ex	3m. 4 core Ex	1NC 1NO
146004	GLES-Ex	3m. 8 core Ex	3NC 1NO
146005	GLES-Ex	3m. 4 core Ex	2NC
146006	GLES-Ex	3m. 8 core Ex	2NC 2NO
147001	GLES-SS	M20	4NC 2NO
147002	GLES-SS	½" NPT	4NC 2NO
147003	GLES-SS-Ex	3m. 4 core Ex	1NC 1NO
147004	GLES-SS-Ex	3m. 8 core Ex	3NC 1NO
147005	GLES-SS-Ex	3m. 4 core Ex	2NC
147006	GLES-SS-Ex	3m. 8 core Ex	2NC 2NO

*** For LED models add voltage code to Sales Number**
A - 24Vdc, B -110Vac, C - 230V.ac (146001+24v LED =146001-A)

Gold Plated Contacts available for low power circuits (5V. 5mA).
Add GC to Part Number e.g. 146001-A-GC